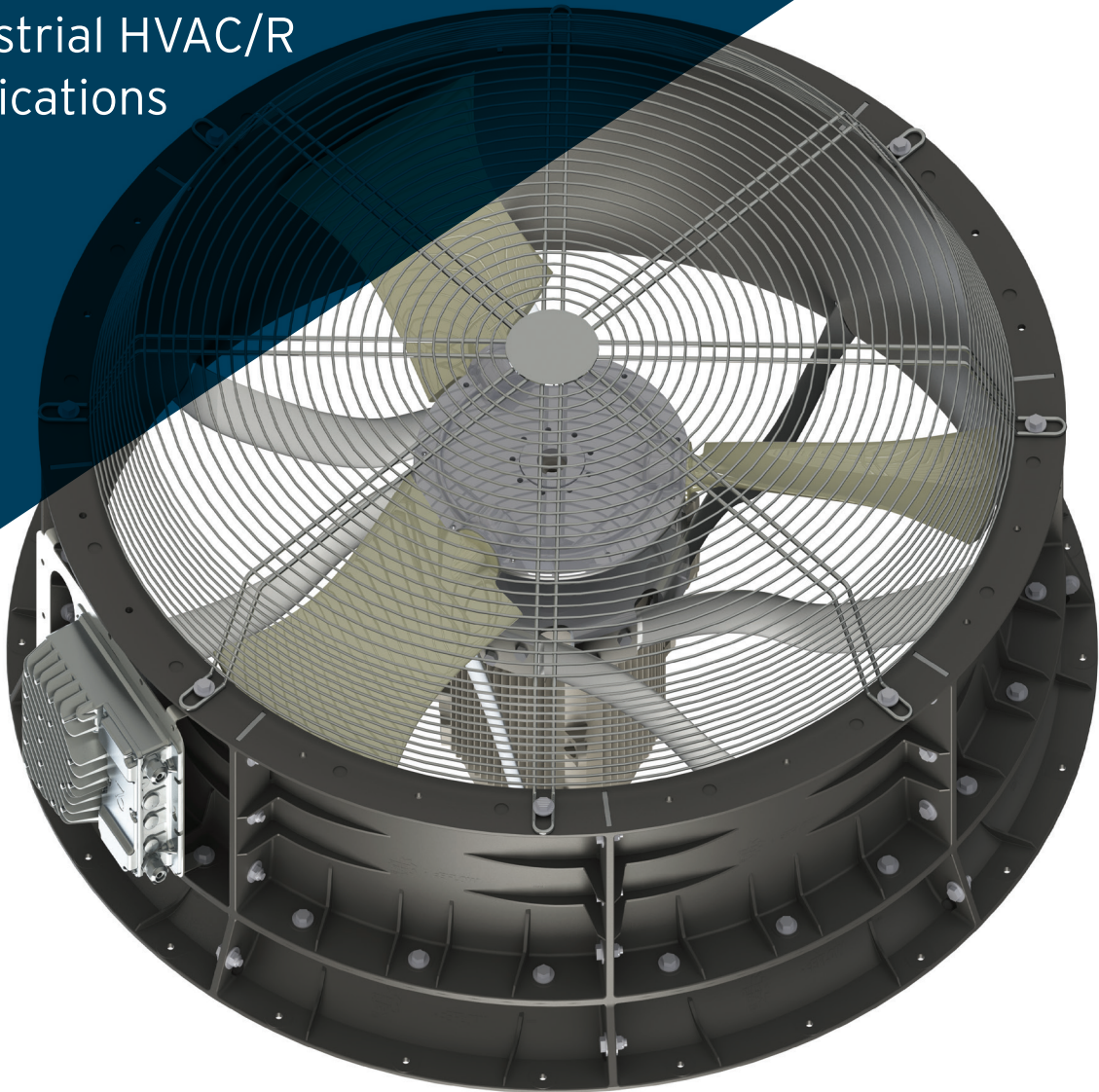


MULTI-WING

# SMARTPACK™

**New Generation of Highly  
Efficient Axial Fan Systems**

Industrial HVAC/R  
Applications



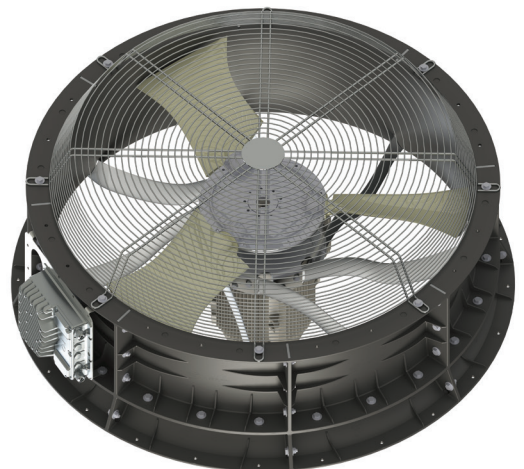
by



# AIR-MOVING SOLUTIONS DRIVEN BY INNOVATION

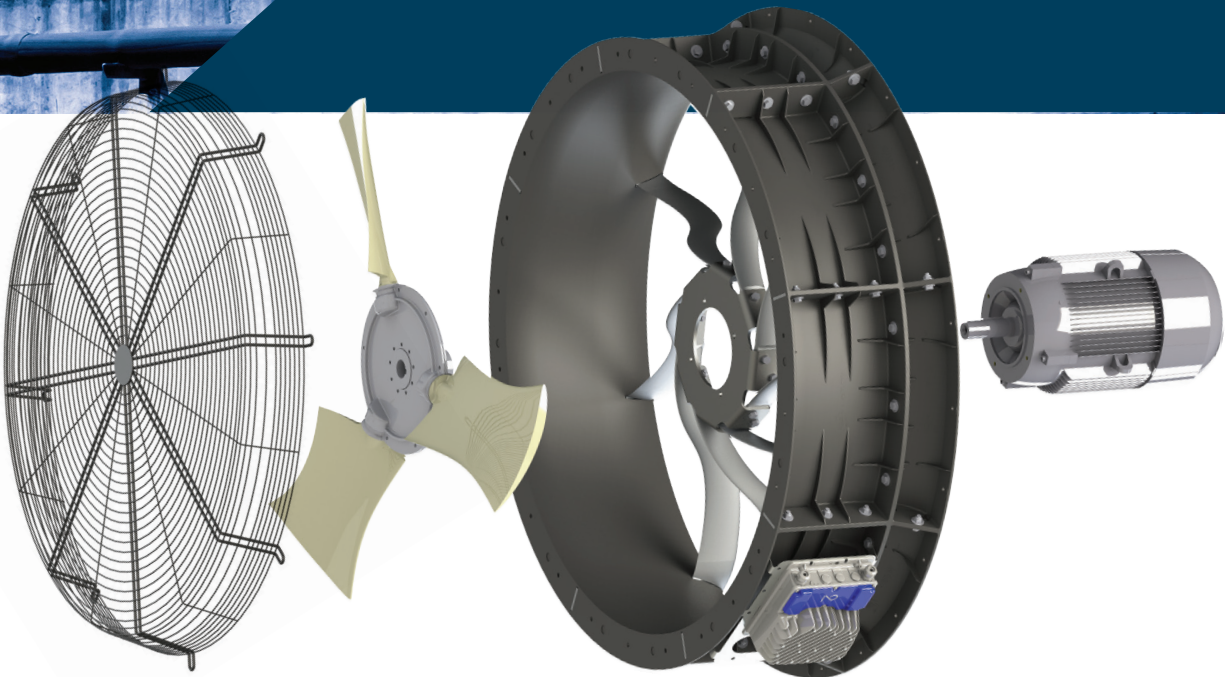


SMARTPACK™ sets a new standard for functionality, flexibility and efficiency. These innovative modular systems are engineered to meet stringent low-noise and high-efficiency requirements in industrial and commercial ventilation, refrigeration and heat exchanger applications. SMARTPACK provides the aerodynamics, optimized performance, low operating noise and high-strength materials to exceed your specifications.

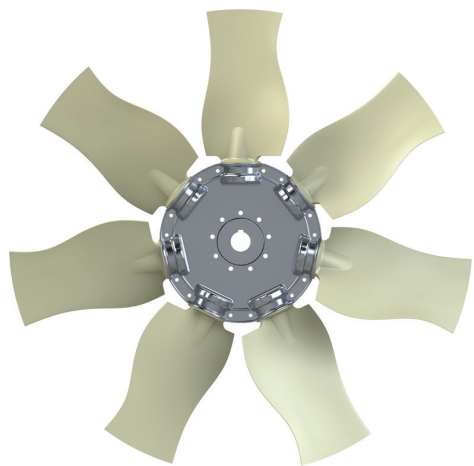


# MODULAR SYSTEM

SMARTPACK's construction includes a strong metal frame with a plastic skin, a custom-configured Multi-Wing fan, an AC or EC motor and a protective fan guard. Durably built, Multi-Wing's SMARTPACK provides neutral and clean aerodynamic conditions.



# SMARTPACK™ COMPONENTS



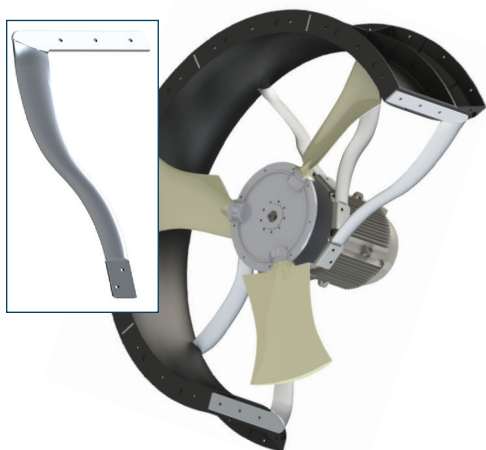
## MULTI-WING HIGH-PERFORMANCE FANS

- Computer-optimized blade design
- Adjustable pitch angles
- High efficiency and high pressure at relatively low speeds



## OPTIMIZED SHROUD

- Molded nozzle for aerodynamic shape
- Flexible nozzle concept for mouting on either side
- Rugged, UV-resistant material



## BRACKETS

- Aerodynamic airfoil shape
- Strong aluminum design
- Corrosion-resistant motor flange
- Motor flanges with standard IEC with B14 dimensions

Durable AC or EC motors with various torque and electronic options are available for medium- and high-pressure applications.

## AC THREE-PHASE MOTORS

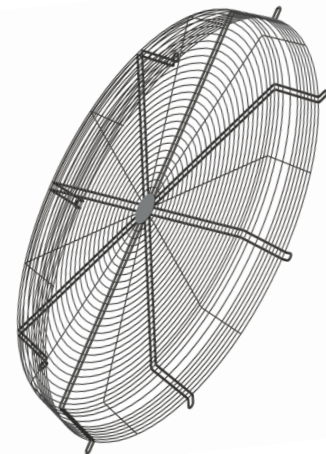
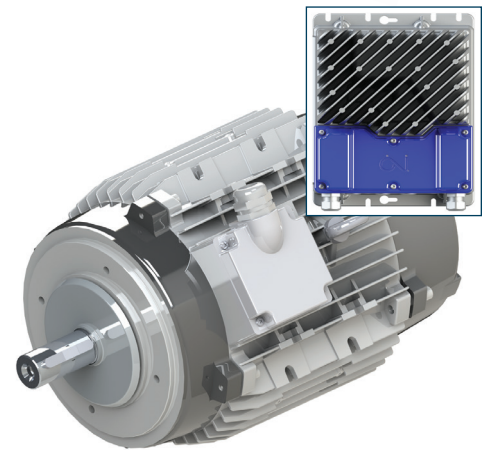
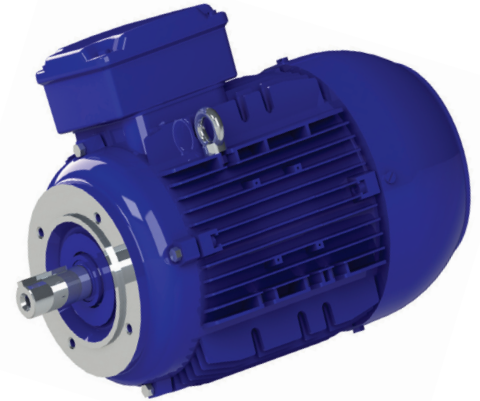
- Meet tough industrial requirements worldwide
- 3 - 10 HP, 2.2 - 7.5 kW
- -20° to 60°C (-4° to 140°F) standard temperature range, up to 80°C (176°F) possible
- IEC B14 mounting dimensions
- Robust IP55 standard design, optional IP66
- Compliant with IE3 and international standards

## EC MOTORS

- Highest possible efficiency within a wide operating range
- Longer lifetime due to the EC drive that is mounted outside the air stream
- Permanent magnets exceed IE4
- Robust IP55 standard design, optional IP66
- Voltage range from 380V to 460V, 50/60 Hz
- -20° to 65°C (-4° to 149°F) standard temperature range, up to 80°C (176°F) possible

## FAN GUARD

- Optimized design to improve airflow
- Meets international safety standards
- Powder-coated, carbon-steel construction



# SMARTPACK™

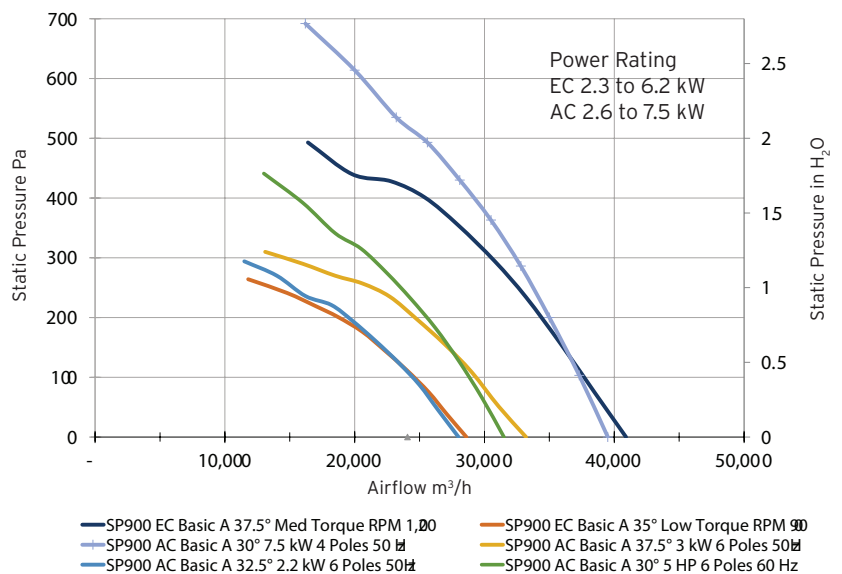
## 900 AND 1250

SMARTPACK™ is available in 900 and 1250 mm (35.43" and 49.57") configurations with a full range of mounting options.

### SMARTPACK 900



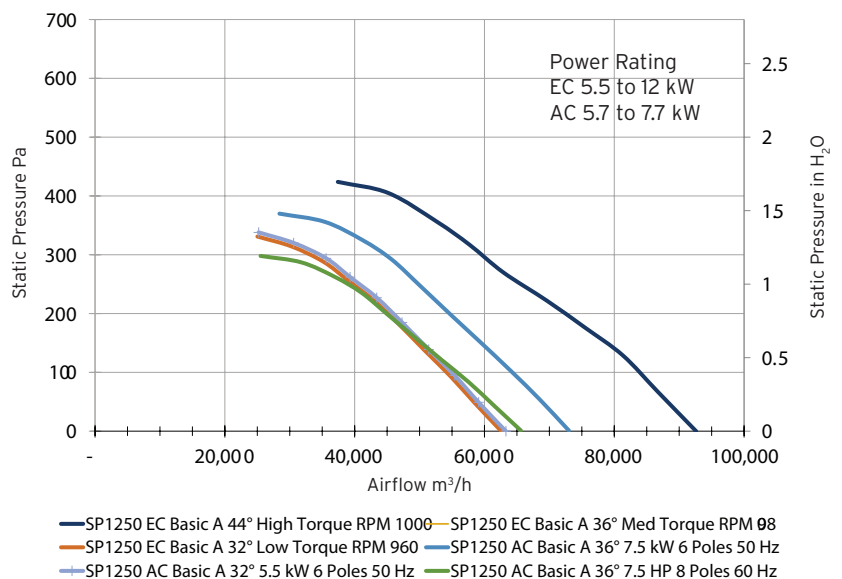
### SMARTPACK 900 PERFORMANCE



### SMARTPACK 1250



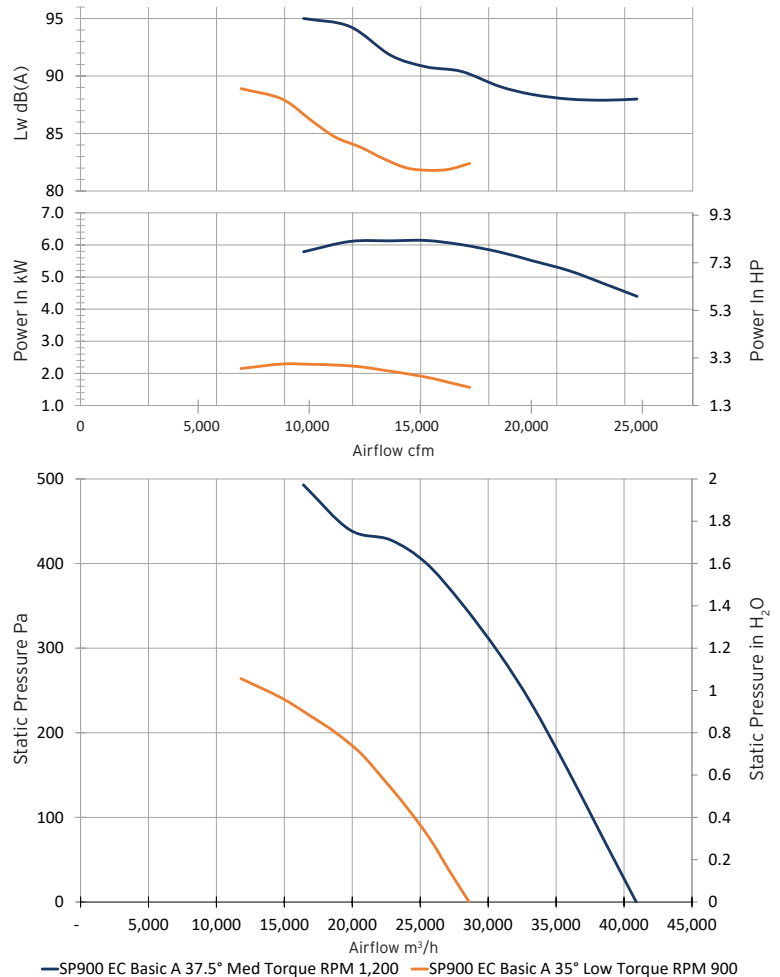
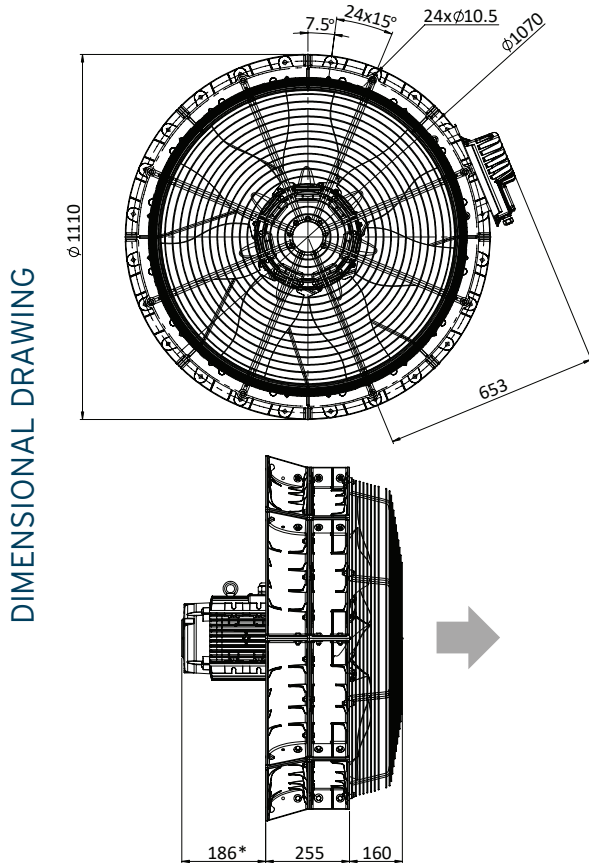
### SMARTPACK 1250 PERFORMANCE



# PERFORMANCE

## SMARTPACK™ 900EC Standard A-Up 900 - 1,200 RPM

Data referred to air density 1,225 kg/m<sup>3</sup> (59°F [15°C] sea level) without protection grid. Sound power measured at suction side.



### TECHNICAL DATA

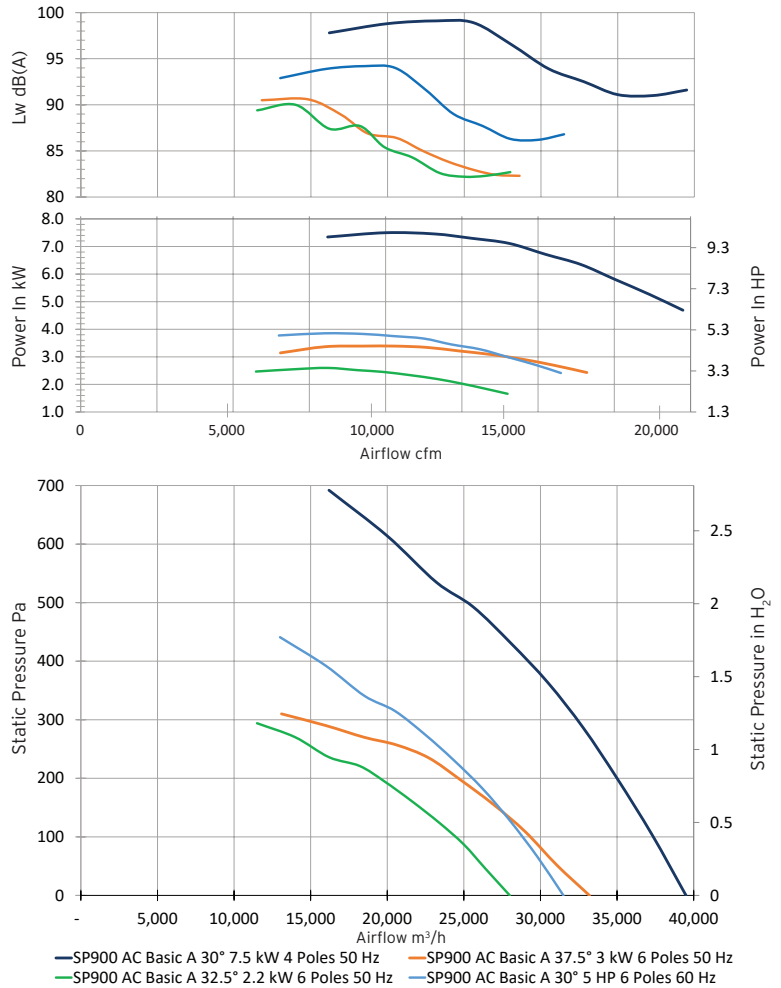
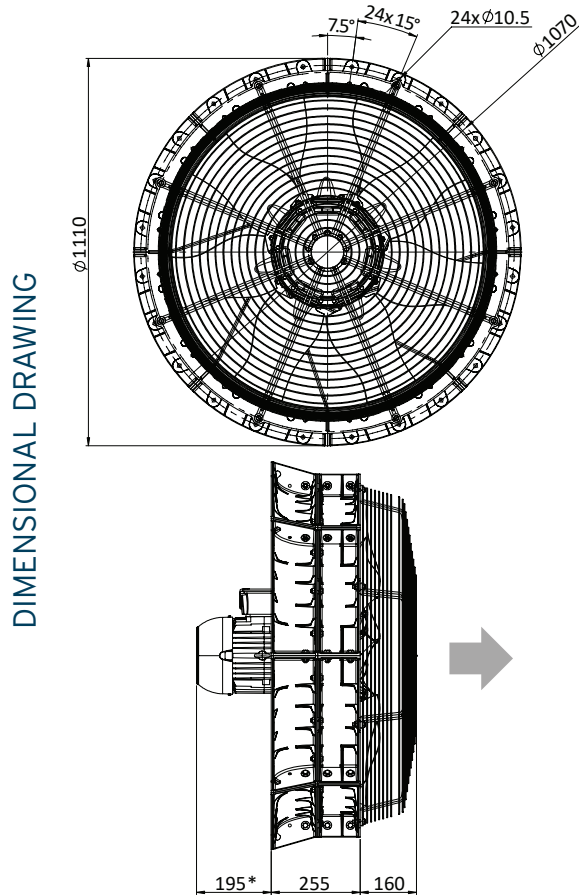
SMARTPACK™ 900EC	Medium Torque 1,200 RPM	Low Torque 900 RPM
IP Class	55	
Maximum Airflow Temperature	65°C (149°F)	
Minimum Airflow Temperature	20°C (-4°F)	
Maximum Back Pressure	410 Pa (1.64 in H <sub>2</sub> O)	220 Pa (0.88 in H <sub>2</sub> O)
Maximum Airflow	40 900 m <sup>3</sup> /h (24 073 cfm)	28 600 m <sup>3</sup> /h (16 833 cfm)

Lowest airflow temperatures to -40°C (-40°F) available upon request. Heavy-duty version available to 80°C (176°F) airflow temperature. Motor IP class 66 available upon request.

# PERFORMANCE

## SMARTPACK™ 900AC Standard A-Up 2.2 - 7.5 kW

Data referred to air density 1,225 kg/m<sup>3</sup> (15°C [59°F] sea level) without protection grid.  
Sound power measured at suction side.



### TECHNICAL DATA

SMARTPACK™ 900AC	50 Hz			60 Hz
	4 Poles 7.5 kW	6 Poles 3 kW	6 Poles 2.2 kW	6 Poles 3.8 kW
IP Class	55			
Maximum Airflow Temperature	60°C (140°F)			
Minimum Airflow Temperature	-20°C (-4°F)			
Maximum Back Pressure	2.01 in H <sub>2</sub> O	1.00 in H <sub>2</sub> O	0.88 in H <sub>2</sub> O	1.24 in H <sub>2</sub> O
	500 Pa	250 Pa	220 Pa	310 Pa
Maximum Airflow	23 249 cfm	19 541 cfm	16 480 cfm	18 540 cfm
	39 500 m <sup>3</sup> /h	33 200 m <sup>3</sup> /h	28 000 m <sup>3</sup> /h	31 500 m <sup>3</sup> /h

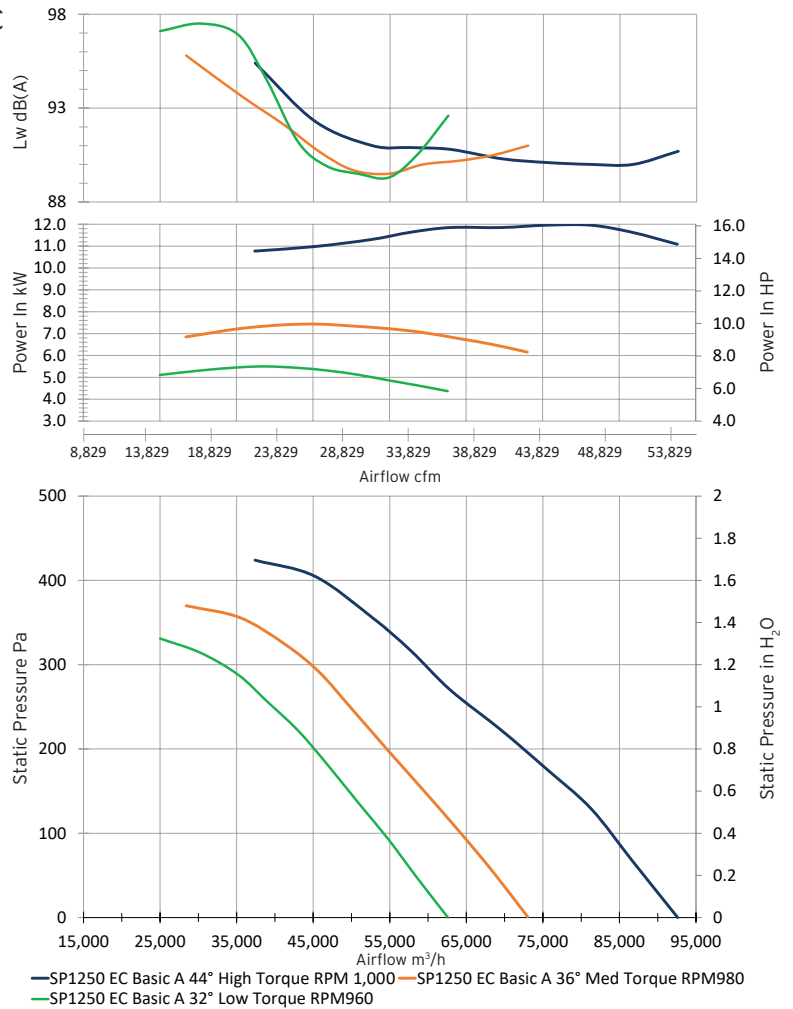
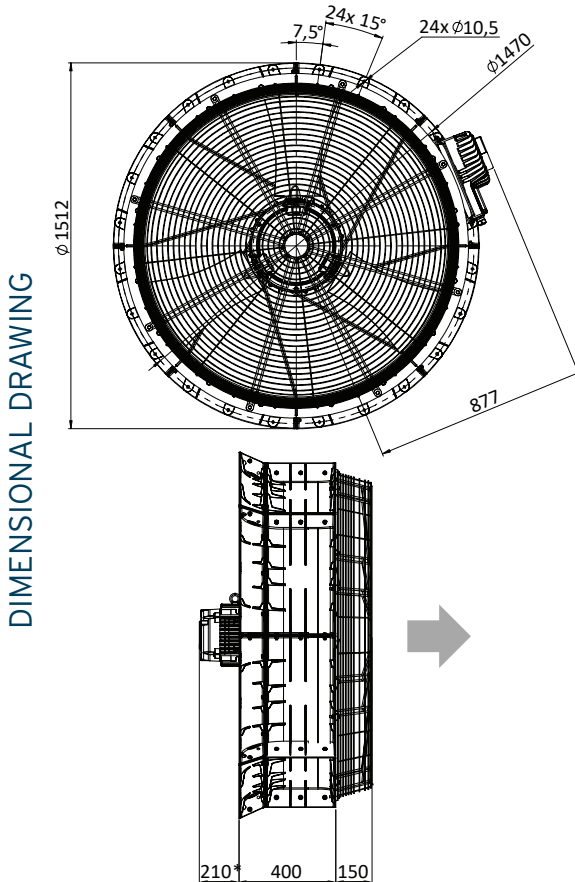
Lowest airflow temperatures to -40°C (-40°F) available upon request. Heavy-duty version available to 80°C (176°F) airflow temperature. Motor IP class 66 available upon request.



# PERFORMANCE

## SMARTPACK™ 1250EC Standard A-Up 960 - 1,000 RPM

Data referred to air density 1,225 kg/m<sup>3</sup> (15°C [59°F] sea level) without protection grid.  
Sound power measured at suction side.



### TECHNICAL DATA

SMARTPACK™ 1250EC	High Torque 1,000 RPM	Medium Torque 980 RPM	Low Torque 960 RPM
IP Class	55		
Maximum Airflow Temperature	65°C (149°F)		
Minimum Airflow Temperature	-20°C (-4°F)		
Maximum Back Pressure	1.44 in H <sub>2</sub> O	1.40 in H <sub>2</sub> O	1.28 in H <sub>2</sub> O
	360 Pa	350 Pa	320 Pa
Maximum Airflow	54 503 cfm	42 966 cfm	36 845 cfm
	92 600 m <sup>3</sup> /h	73 000 m <sup>3</sup> /h	62 600 m <sup>3</sup> /h

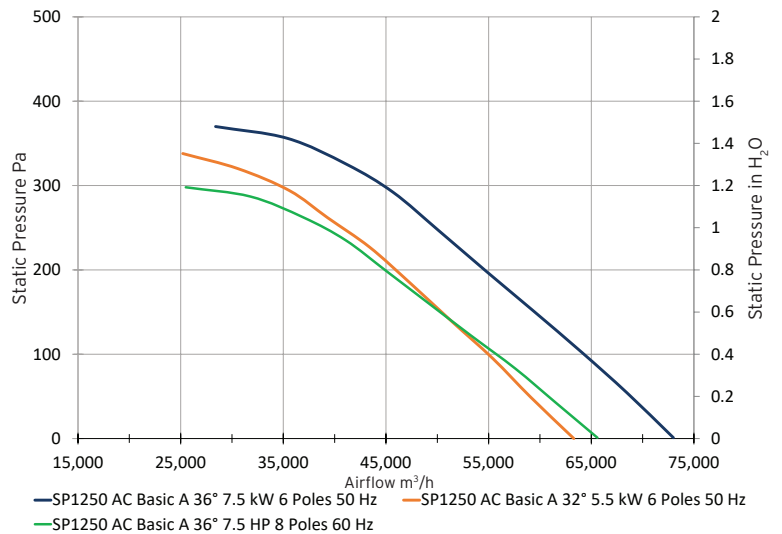
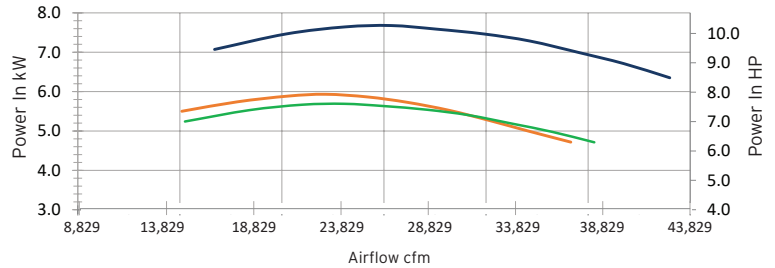
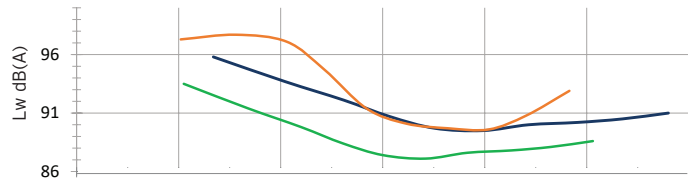
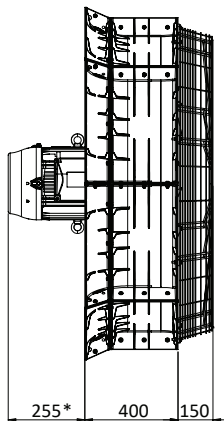
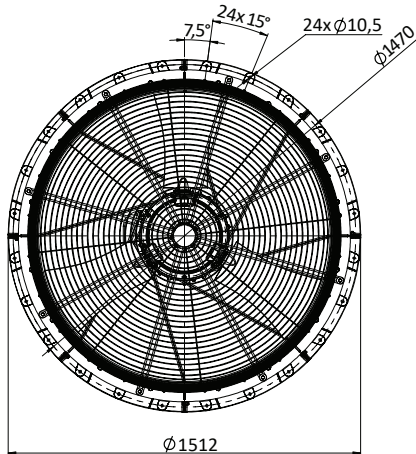
Lowest airflow temperatures to -40°C (-40°F) available upon request. Heavy-duty version available to 80°C (176°F) airflow temperature. Motor IP class 66 available upon request.

# PERFORMANCE

## SMARTPACK™ 1250AC Standard A-Up 5.5 - 7.5 kW

Data referred to air density 1,225 kg/m<sup>3</sup> (15°C [59°F] sea level) without protection grid. Sound power measured at suction side.

DIMENSIONAL DRAWING



— SP1250 AC Basic A 36° 7.5 kW 6 Poles 50 Hz — SP1250 AC Basic A 32° 5.5 kW 6 Poles 50 Hz  
— SP1250 AC Basic A 36° 7.5 HP 8 Poles 60 Hz

### TECHNICAL DATA

SMARTPACK™ 1250AC	50 Hz 6 Poles 7.7 kW	50 Hz 6 Poles 6 kW	60 Hz 8 Poles 7.5 kW
IP Class	55		
Maximum Airflow Temperature	60°C (140°F)		
Minimum Airflow Temperature	-20°C (-4°F)		
Maximum Backpressure	1.4 in H <sub>2</sub> O	1.3 in H <sub>2</sub> O	1.2 in H <sub>2</sub> O
	350 Pa	320 Pa	290 Pa
Maximum Airflow	42 966 cfm	37 257 cfm	38 611 cfm
	73 000 m <sup>3</sup> /h	63 300 m <sup>3</sup> /h	65 600 m <sup>3</sup> /h

Lowest airflow temperatures to -40°C (-40°F) available upon request. Heavy-duty version available to 80°C (176°F) airflow temperature. Motor IP class 66 available upon request.

161  
255

# THE SMARTPACK™ ADVANTAGE



## AERODYNAMIC DESIGN

High-efficiency, low operating noise with 20 percent more airflow compared to similar fan systems, and lower energy consumption.



## POWERFUL PERFORMANCE

AC airflow up to 73,003 m<sup>3</sup>/h (42,966 cfm).



## RUGGED MOTORS

External EC drive can be mounted outside the airflow.



## MODULAR CONSTRUCTION

Easy component maintenance and replacement.



## AC & EC MOTORS

Range of AC and EC motors to meet customer requirements.



## WIDE TEMPERATURE RANGE

Maximum temperature range to 80°C (176°F).



## CORROSION RESISTANT

Thermoplastic and aluminum component for longer life cycle and reduced weight.



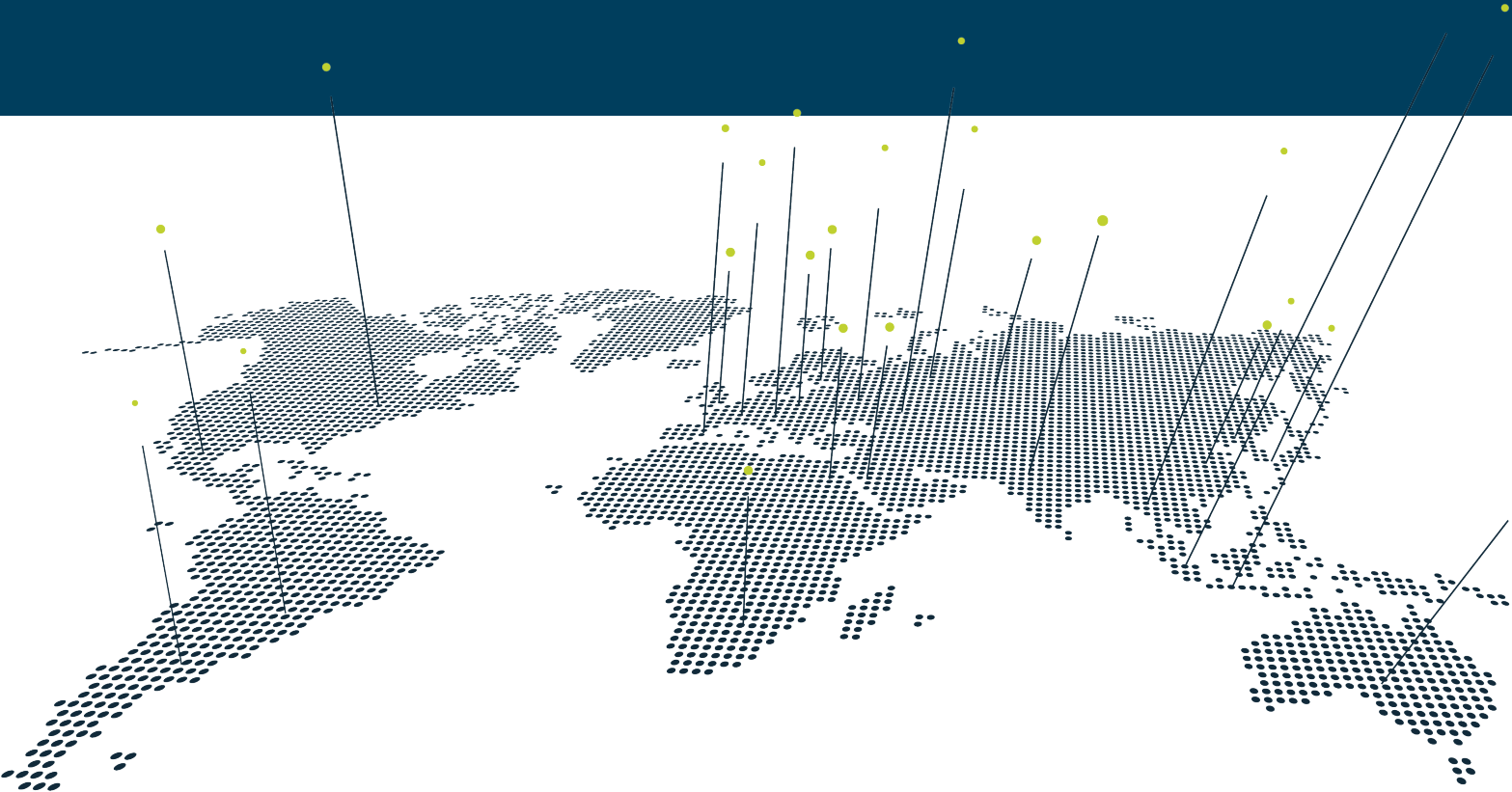
## PLUG & PLAY

Plug and play optimized system with a range of options.

Worldwide Locations

info@multi-wing.com

**MULTI-WING.COM**



by

